



## Standard Industry Camera



**2023 V1**

For customized projects please Contact us:  
[info@simtrum.com](mailto:info@simtrum.com)

## Standard Industry Camera

This standard industry camera series features a variety of resolution up to 5K and pixel size up to  $5.86\mu\text{m} \times 5.86\mu\text{m}$ . Our products have been applied to semiconductor inspection, food and medicine inspection and factory automatic inspection.

## Camera With Resolution Between 1-2K

### Feature

- Global shutter CMOS
- High sensitivity and low noise
- ROI/binning/LUT/automatic white balance
- Analog gain/digital gain/offset control
- Defect pixel correction/FFC
- Scanning direction configurable
- Temperature monitor
- GigE Vision interface ,support long-distance transmission
- Support GigEVision2.0 and GenICam standard

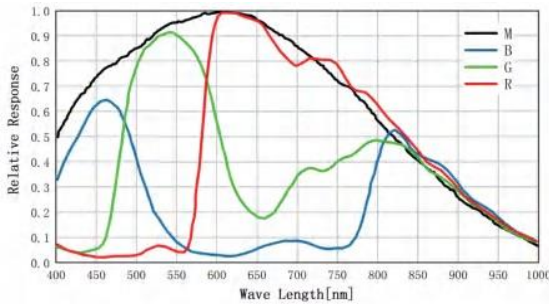


STS1M5SGV-107M/C  
STS3M2SGV-56M/C  
STS5MSGV-36M/C  
STS2M3GV-42M/C

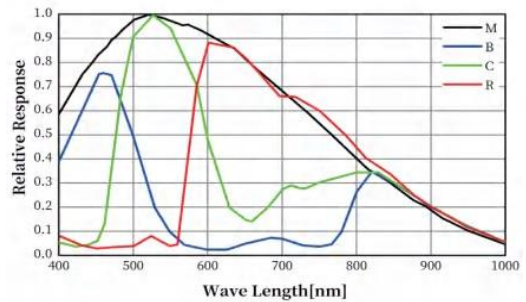
### Application

- Semiconductor inspection
- Food and medicine inspection
- Factory automatic inspection

### Spectral response

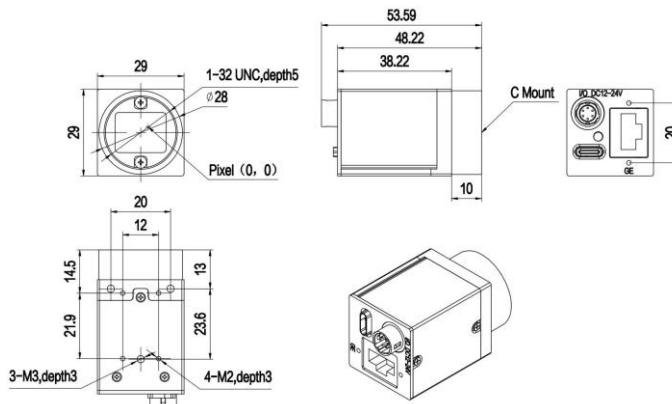


STS1M5SGV-107M/C  
STS3M2SGV-56M/C  
STS5MSGV-36M/C



STS2M3GV-42M/C

### Drawings



## Camera With Resolution Between 4-5K

### Feature

**STS8M9SGV-21M/C**

**STS12MSGV-15M/C**

**STS20MSGV-9M/C**

- Global shutter CMOS
- High sensitivity and low noise
- ROI/binning/LUT/automatic white balance
- Analog gain/digital gain/offset control
- Defect pixel correction/FFC
- Scanning direction configurable
- Temperature monitor
- GigE Vision interface ,support long-distance transmission
- Support GigEVision2.0 and GenICam standard



STS8M9SGV-21M/C

STS12MSGV-15M/C

STS20MSGV-9M/C

**STS12MSU30-23M/C**

- Global shutter CMOS
- High sensitivity and low noise
- Auto defect pixel correction/FFC
- Analog gain/digital gain/offset control
- Auto white balance
- Temperature monitor
- Support MacOS 10.9 or later

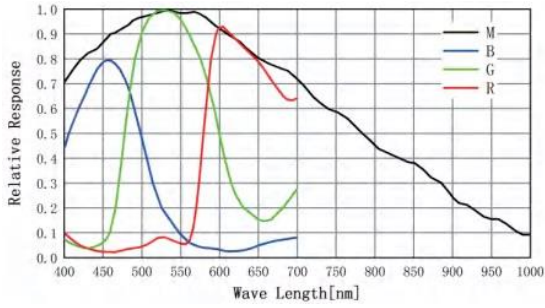


STS12MSU30-23M/C

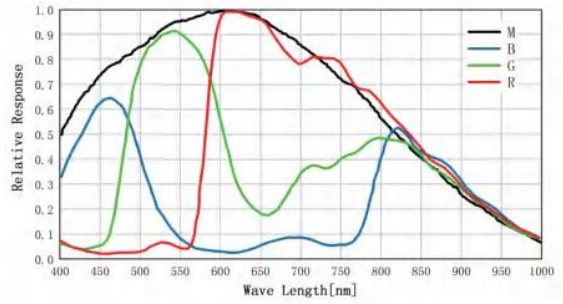
### Application

- Semiconductor inspection
- Food and medicine inspection
- Factory automatic inspection

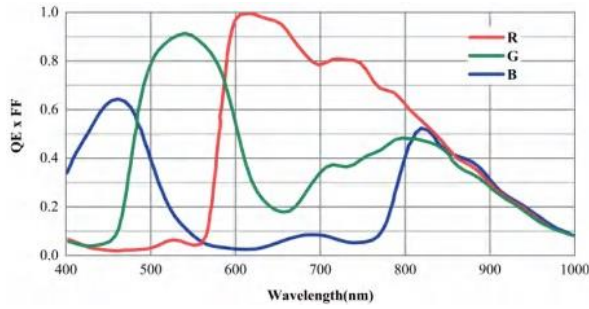
## Spectral response



STS20MSGV-9M/C

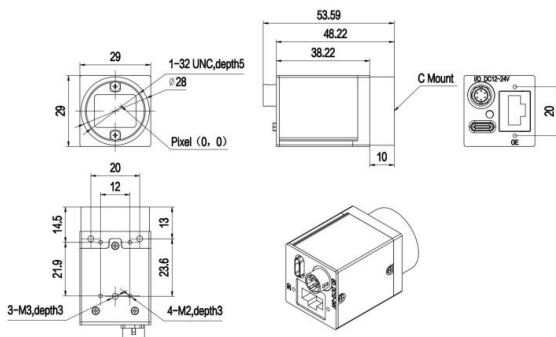


STS8M9SGV-21M/C  
STS12MSGV-15M/C

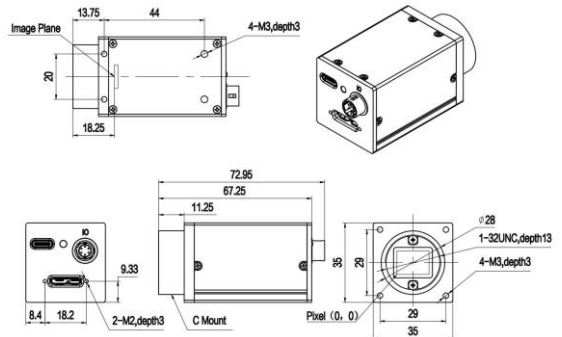


STS12MSU30-23M/C

## Drawings



STS8M9SGV-21M/C  
STS12MSGV-15M/C  
STS20MSGV-9M/C



STS12MSU30-23M/C

## Specifications

Model	STS1M5SGV-107M/C	STS2M3GV-42M/C	STS3M2SGV-56M/C	STS5MSGV-36M/C	STS8MSGV-21M/C	STS12MSGV-15M/C	STS12MSU30-23M/C	STS20MSGV-9M/C
Sensor	Global shutter CMOS							
Image Mode	Color/Mono							
Optical Size	6.21 mm	13.40 mm	8.83 mm	11.01 mm	15.99 mm	17.52 mm	17.52mm	15.98 mm
Resolution	1440 * 1080	1920* 1200	2048*1536	2448 * 2048	4096*2168	4096 * 3000	4096* 3000	5544* 3688
Pixel Size	3.45µm *3.45µm	5.86µm*5.86µm	3.45µm*3.45µm	3.45µm*3.45µm	3.45µm*3.45µm	3.45µm*3.45µm	3.45µm* 3.45µm	2.4µm*2.4µm
Max Frame Rate	79fps(107fps with SAccel™)	42 fps	39fps(56fps with SAccel™)	25fps(36fps with SAccel™)	14fps(21fps with SAccel™)	10fps(15fps with SAccel™)	23.06fps@8bit, 11.84fps@12bit	6fps(9fps with SAccel™)
Pixel Format	Monochrome camera: Mono8/10/10p/12/12p, Color camera: Bayer8/10/10p/12/12p/RGB8/YUV422_8	Monochrome camera: Mono8/10/10p Color camera: Bayer8/10/10p/RGB8/YUV422_8	Monochrome camera: Mono8/10/10p/12/12p Color camera: Bayer8/10/10p/12/12p/RGB8/YUV422_8	Monochrome camera: Mono8/10/10p/12/12p, Color camera: Bayer8/10/10p/12/12p/RGB8/YUV422_8	Monochrome camera: Mono8/10/10p/12/12p, Color camera: Bayer8/10/10p/12/12p/RGB8/YUV422_8	Monochrome camera: Mono8/10/10p/12/12p, Color camera: Bayer8/10/10p/12/12p/RGB8/YUV422_8	8/12 bit	Monochrome camera: Mono8/10/10p/12/12p, Color camera: Bayer8/10/10p/12/12p
Dynamic Range	≥71 dB	≥66.7 dB	≥71 dB	≥71 dB	≥71.4 dB	≥71 dB	≥71 dB	≥71 dB
Data Rate	123 MB/s	123 MB/s	123 MB/s	123 MB/s	123 MB/s	123 MB/s	350 MB/s	123 MB/s
Trigger Mode	Free run/externa trigger							
Trigger Source	Software trigger/external IO							
Exposure Control	Program/pulse width							
ExposureTime	1µs-10s(Step:1µs)	1µs-10s(Step:1µs)	1µs-10s(Step:1µs)	1µs-10s(Step:1µs)	1µs-10s(Step:1µs)	1µs-10s(Step:1µs)	29µs-10s(Step:29µs)	1µs-10s(Step:1µs)
Analog Gain	0-24dB	0-24dB	0-24dB	0-24dB	0-24dB	0-24dB	0-20dB	0-24dB
Digital Gain	0.004-8.000x	0.004-8.000x	0.004-8.000x	0.004-8.000x	0.004-8.000x	0.004-8.000x	0.1-8.00x	0.004-8.000X
Lens Interface	C Mount	C Mount	C Mount	C Mount	C Mount	C Mount	C Mount	C Mount
Data Interface	GigE Vision	GigE Vision	GigE Vision	GigE Vision	GigE Vision	GigE Vision	USB3.0	GigE Vision
Power Interface	Hirose HR10A-7R-6PB(Male)						USB powered	Hirose HR10A-7R-6PB(Male)
Power Supply	DC12-24V(±10%)1A							
Power Consumption	3.0 W	3.0 W	3.0 W	3.2 W	3.4 W	3.6 W	4.0 W	3.0 W
Dimensions (W*H*D)(mm)	29.0x29.0x43.59(Without adapter)						35.0x35.0x61.7 (Without adapter)	29.0x29.0x43.59 (Without adapter)
Operating Temperature	0-65℃	0-65℃	0-65℃	0-65℃	0-65℃	0-50℃	0-45℃	0-50℃
Storage Temperature	-20-75℃							